



M16



M16 HD V6

Application

M16 are thermostats with a compact design and fixed switching temperature. Precision thermostats are used as temperature sensors, or thermal switches, with a low temperature tolerance ($\pm 3^\circ\text{C}$ for -40°C to $+130^\circ\text{C}$ and $\pm 5^\circ\text{C}$ for $+130^\circ\text{C}$ to $+180^\circ\text{C}$). The hysteresis is generally $\pm 5^\circ\text{C}$, but for temperatures above 120°C , it is $\pm 7^\circ\text{C}$. The M16 models can be supplied as either Normally Closed (NC) or Normally Open (NO).

Operation

A bimetal snap disk controls the switching function of the precision thermostat. When the response temperature is reached, the contact will snap and either open or close the electrical circuit. This action takes place at a preset temperature and cannot be adjusted.

Description

These reliable thermostats are resistant to shock, acceleration, and vibration. Each thermostat is individually tested for thermal and electrical function and can be customized upon request with various connectors, housings, and mountings.



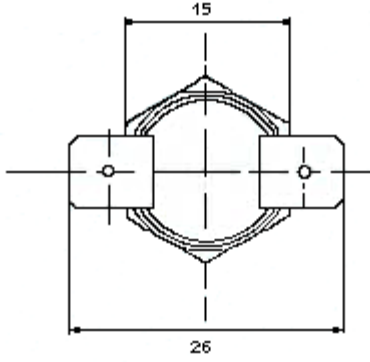
Technical Data

Precision Thermostats




M16 and M16 BO

| Type | M16 | M16 BO |
|---|---|--------------------------------------|
| Function | Monitor | Limiter |
| Switching Current | 6 A | 10 A |
| Voltage | 250 V AC | 220 V |
| Contact Type | O = Öffner/Normally Closed F = Schließer/Normally Open | Normally Closed with manual reset |
| Contact | Silver | |
| Temperature Range | -40 °C to + 180°C | +30 °C to + 180°C |
| Tolerance | ± 3 °C for lower than 130 °C ± 5 °C at or above 130 °C | |
| Dielectric Strength (between contacts) | 1200 V | |
| Dielectric Strength (to ground) | 4000 V | |
| Contact Resistance | 10 mΩ | |
| Maximum Operating Temperature | +200 °C | |
| Configuration | Connection, Fixtures, Protection, Coating, Pipe Mounting | |



Connections

| Solder Connection (Standard) | Flat Plug (vertical connection) HD | Flat Plug (horizontal connection) HC |
|---|---|--|
|  |  |  |
| 2.8 mm | 6.35 x 0.8 mm | 6.35 x 0.8 mm |



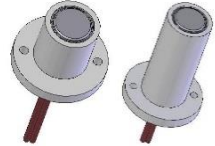
Fixtures

| Threaded Screw M6x6mm V6 | Steel Flange V34 | Plastic Flange V38 |
|---|---|--|
|  |  |  |
| Other thread dimensions available upon request | For installation on flat surfaces with 2 screws | For installation on flat surfaces with 2 screws, designed for use in high temperature ranges |


Protective Covers

| | |
|---|---|
| <p>P11</p>  | <p>P12</p>  |
| <p>Plastic cover with 6.7 mm opening</p> | <p>Plastic cover with 4.0 mm opening</p> |

Coating

| | | |
|--|--|--|
| <p>Epoxy Coating with 300 mm Braiding</p> <p>A1</p>  | <p>Epoxy Coating with 300 mm Braiding</p> <p>A2</p>  | <p>Plastic Flange</p> <p>A3</p>  |
| <p>Cylindrical with the following measurements: Diameter 17 mm - Height 23 mm</p> | <p>Protection against liquids. 14 mm threading</p> | <p>Available in shorter and longer lengths with 2 holes for attachment. (temperatures up to max. 140 °C)</p> |

Pipe Mounting

| |
|---|
| <p>C</p>  |
| <p>Designed for different sizes, the contact surface can be adjusted to the diameter of the pipe.</p> |

Other configurations are available upon request.

firedect GmbH

Leibnizstraße 4
72202 Nagold
D - Germany

T +49 7452 929 289 - 0
F +49 7452 929 289 - 9
E info@firedect.de
W www.firedect.de